

Hydraulic power packs (HPP) and hydraulic units (HU)

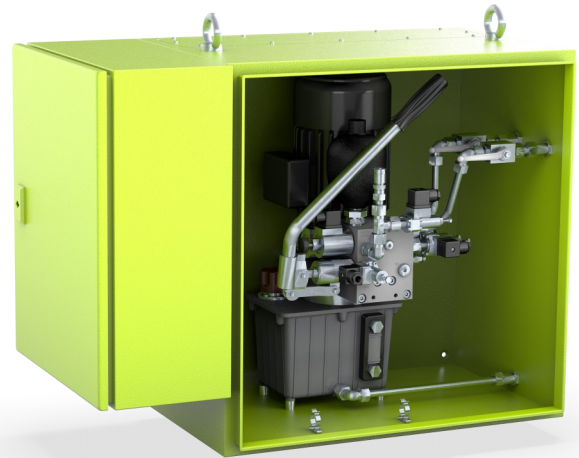
The hydraulic power pack series DH 2000 are available in four different models, each with several different options.

The main functions of the different models are as follows:

DH 2100: "ON/OFF" unit with an optional accumulator.

DH 2200: Unit with "Separate function" available as an option to make it possible to pressurise two braking systems individually and independently. Other options are an accumulator, hand pump and pressure switches.

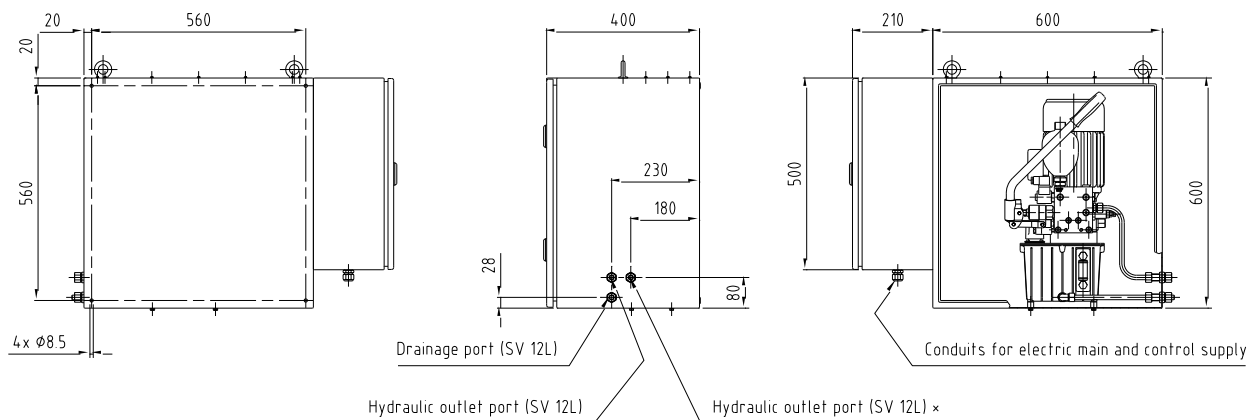
DH 2300: Unit with proportional valves that gives the possibility to achieve a controlled operation by programming any kind of braking curve, controlled by an optional PLC in an electrical terminal box. Other options are an accumulator and hand pump.



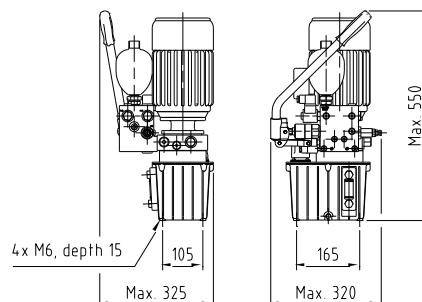
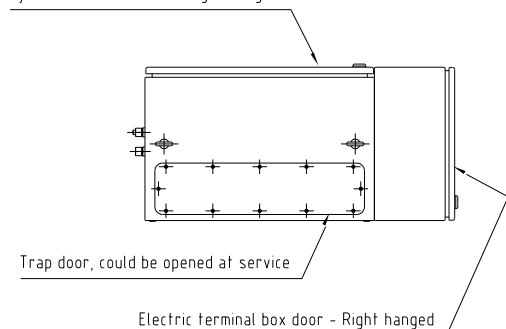
DH 2400: Unit with "Double control valves" for critical applications such as overhead cranes, etc. Other options are an accumulator, hand pump, pressure switches and additional filter unit.

OPTIONS

- All HPPs can be delivered as HUs including protective cabinets and electrical terminal boxes (standard or customized interface, with or without Local Operation Panel (LOP) among others).
- The optional cabinets/boxes for all models have the same dimensions.
- The electrical terminal boxes can be delivered with optional rapid connectors and/or fireproof cables .



Hydraulic cabinet door - Right hanged



*) Extra hydraulic outlet port only existing on DH 2200 with separate function and DH 2400

DELLNER BUBENZER AB

Teknikergatan 1 SE-781 70 BORLÄNGE SWEDEN

Phone: +46 (0)23-78 30 50 info.se@dellnerbubenzner.com www.dellnerbubenzner.com